

Installation instructions

Side-by-Side combinations

GB



101011 **7084634 - 00**

SBS ...

LIEBHERR

General safety information

Contents

1	General safety information.....	2
2	External dimensions of the appliance.....	2
3	Side-by-Side Assembly.....	2




The manufacturer works constantly on the further development of all the types and models. Therefore please understand that we have to reserve the right to make design, equipment and technical modifications.

To get to know all the benefits of your new appliance, please read the information contained in these instructions carefully.

The instructions apply to several models. Differences may occur. Text relating only to specific appliances is marked with an asterisk (*).

Instructions for action are marked with a ►, the results of action are marked with a ▢.

1 General safety information

	DANGER	identifies a situation involving direct danger which, if not obviated, may result in death or severe bodily injury.
	WARNING	identifies a dangerous situation which, if not obviated, may result in death or severe bodily injury.
	CAUTION	identifies a dangerous situation which, if not obviated, may result in minor or medium bodily injury.
	NOTICE	identifies a dangerous situation which, if not obviated, may result in damage to property.
	Note	identifies useful information and tips.

It is important that the procedures and directions given in these instructions are complied with in order that the appliance is correctly installed and works properly. Read and grasp all the information in these instructions before the appliance is installed.

2 External dimensions of the appliance

Appliance designation	Height A (mm)
SBS(es) 6352	1664
SBSes 7155	1841
SBSes 7165	1841
SBS(esf) 7212	1841
SBS(es) 7252	1841
SBS(es) 7253	1841
SBS 7262	1841
SBSes 7263	1841
SBSes 7353	1841

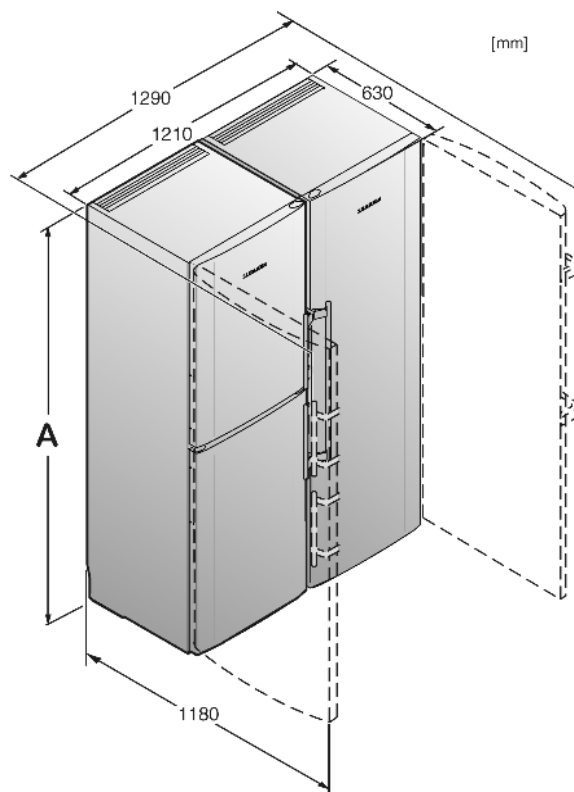


Fig. 1

3 Side-by-Side Assembly

Position the freezer or the appliance with a freezer compartment on the left, as viewed from the front. These appliances have a side wall heating system on the right-hand side to prevent condensate from forming.

All the assembly components accompany the appliance.

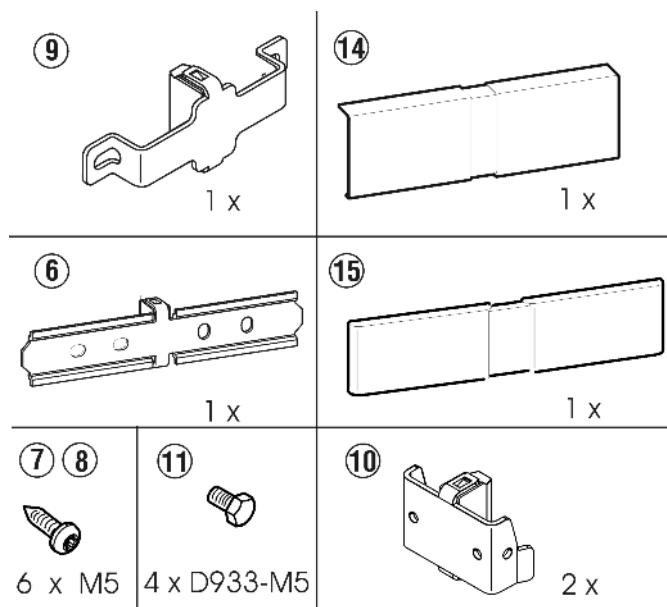


Fig. 2

Ensure that the following tools are to hand:

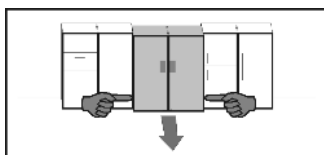
- Spirit level
- Cordless screwdriver
- Torx 25 screwdriver
- Spanner size 8
- Open-ended spanner (accompanying)
- Allen key size 2 (accompanying)*

Information for moving the combined appliance:

- ❑ Before assembling the appliances, site them as closely as possible to the final position.
- ❑ When moving the appliances, always take hold of them at the outer front corners. On no account should you push with your knee against the side walls or door.
- ❑ The combined appliance is easiest to shift diagonally by moving the left and right corner alternately. Once the combined appliance is exactly in front of the aperture, push it straight in.



- ❑ If the combined appliance has to be pulled out of the aperture again, take hold of it in the lower third area and pull it straight forwards.



NOTICE

Risk of damage when moving the combined SBS appliance! The combined SBS appliance is heavy once assembled. The appliance may be dented by improper movement.

- ▶ Observe the information given on moving the appliance (see above).
- ▶ Strip all the protective sheeting off the outside of the housing.
- ▶ Fully retract the front adjustable feet B* of both appliances.
- ▶ Align each appliance individually using a spirit level.

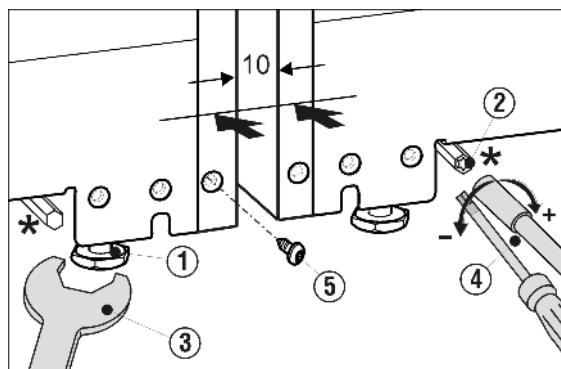
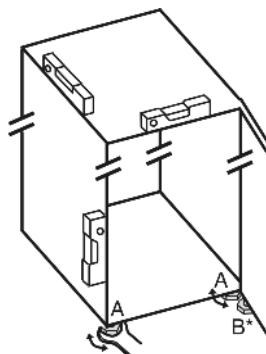


Fig. 3

- ▶ If your appliance was equipped with the prefitted screw Fig. 3 (5): undo the screw before beginning the SBS assembly.
- ▶ Push the two appliances together so that they are 10 mm apart and flush at the front.

The rear height-adjustable feet are fully retracted in the as-delivered state, the appliance is in the lowest position at the back. To raise, turn the adjusting spindles clockwise.

- ▶ Align the appliances using the front height-adjustable feet Fig. 3 (1) (open-ended spanner Fig. 3 (3)), and the adjusting spindles Fig. 3 (2) of the rear height-adjustable feet* (bit attachment or Torx® 25 Fig. 3 (4)). Use a spirit level for accurate alignment.

Note

- ▶ The appliance tops have to be on a level and in the same plane. This is imperative for the covers to fit properly.
- ▶ Do not move the combined appliance before all the mounting brackets have been firmly fitted.

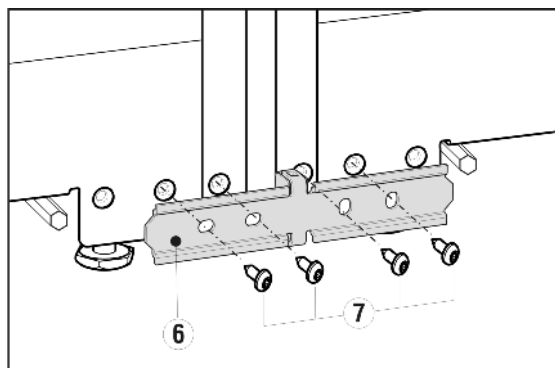


Fig. 4

- ▶ Press the appliances together and realign them and, using the accompanying screws Fig. 4 (7), firmly screw on the mounting bracket Fig. 4 (6).

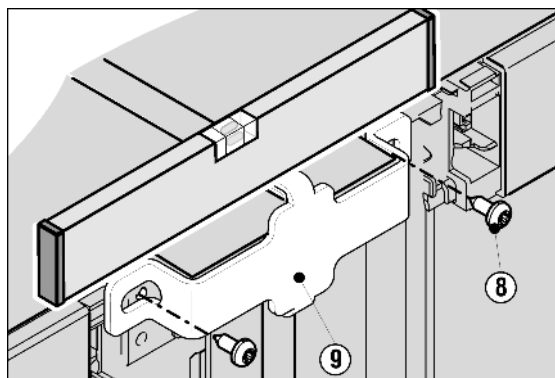


Fig. 5

- ▶ Press the appliances together and realign them and as you do so, using the screws Fig. 5 (8), screw on the large mounting bracket Fig. 5 (9). Possibly make preliminary holes with a bradawl or use a cordless screwdriver.

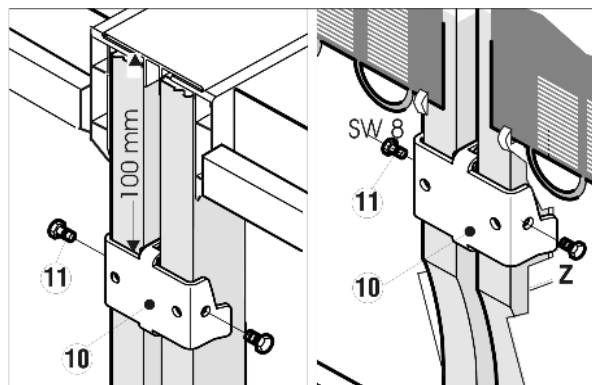


Fig. 6

- ▶ At the top and bottom back, attach the wide mounting brackets Fig. 6 (10).
- ▶ Slide the top mounting bracket upwards to a distance of 100 mm from the top edge.
- ▶ Insert the lower mounting bracket into the appropriate recess (Z).
- ▶ Firmly screw on the two mounting brackets Fig. 6 (10) using hexagon screws Fig. 6 (11) on the sides.

Note

- ▶ Neither the brackets nor the screws may come into contact with the piping at the rear, so as to prevent any vibratory noise!

Side-by-Side Assembly

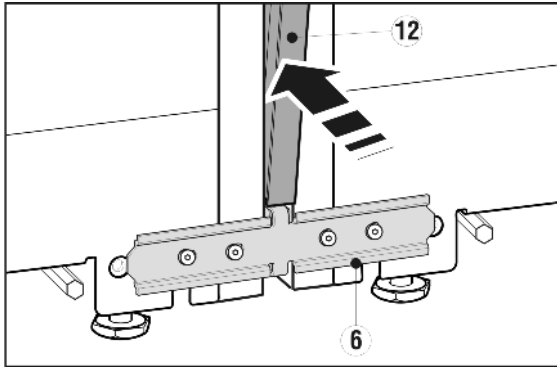


Fig. 7

Before insertion, press together the two sides of the cover strip Fig. 7 (12) over the entire length. Then the strip can be inserted more easily into the gap. Use a soft cloth for pressing so as to prevent indentations in the surface of the cover strip. Press the strip into the gap carefully and straight so as to achieve an optimal connection.

- ▶ On the front, press the long cover strip Fig. 7 (12) into the vertical gap. Pay attention that the strip rests on the mounting bracket Fig. 7 (6).
- ▶ Strip the protective sheeting off the cover strip.

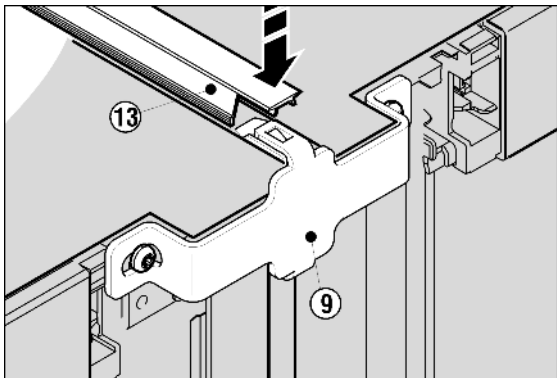


Fig. 8

- ▶ On the top, press the short strip Fig. 8 (13) into the gap. Pay attention that the cutaway of the strip points in the direction of the front of the appliances. The strip has to end flush with the top of the appliance at the front edge.
- ▶ Connect the combined appliance to the mains according to the operating instructions.
Appliances with IceMaker:
- ▶ Plumb in the appliance according to the operating instructions.

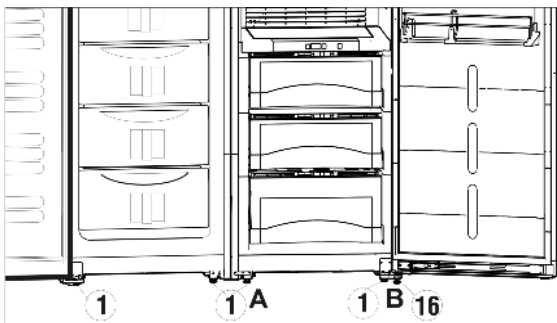


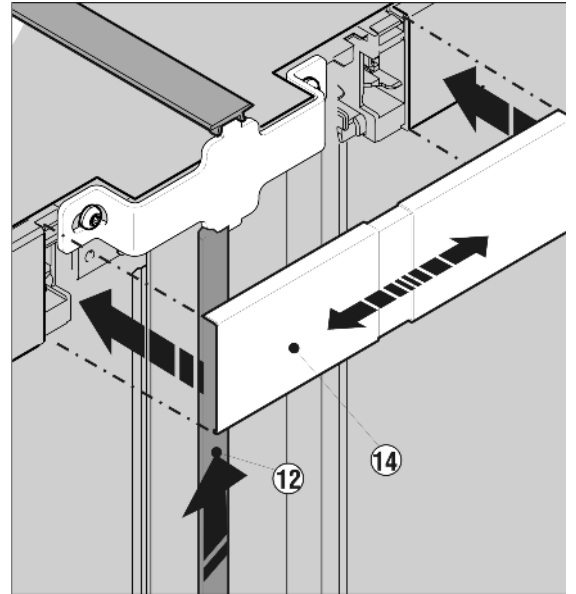
Fig. 9

NOTICE

Risk of damage when moving the combined SBS appliance!
The combined SBS appliance is heavy once assembled. The appliance may be dented by improper movement.

- ▶ Observe the information given on moving the appliance (see above).
- ▶ Retract the adjustable feet situated at the inside A for easier movement of the combined appliance.

- ▶ Carefully push the combined appliance into the position envisaged.



- ▶ Engage the cover Fig. 9 (14) over the gap remaining between the two control panels. Pay attention that the side faces of the cover end flush with the control panels. The cover is extendable for this purpose.

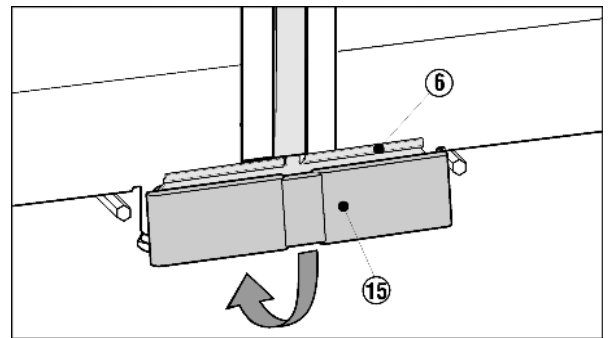


Fig. 10

- ▶ Take the lower cover Fig. 10 (15) from the accessory bag and attach it to the mounting bracket Fig. 10 (6) from above. Engage the cover at the bottom.
- ▶ Check the combined appliance in the final position using a spirit level and, if necessary, align it using the outer height-adjustable feet.

The doors can be aligned in height with the aid of the outer, lower turn hinges*:

- ▶ Extend the threaded pin Fig. 11 (17) a little (by one turn at most!).

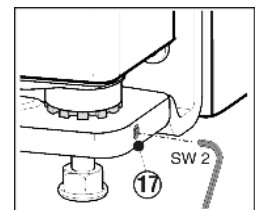


Fig. 11

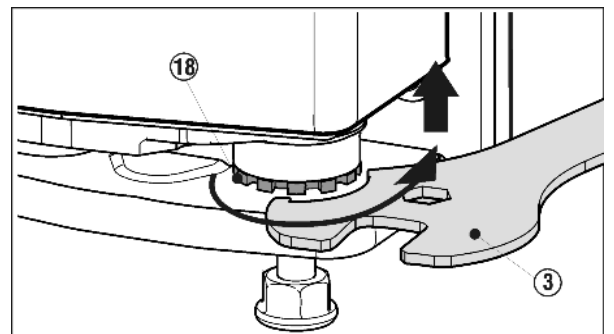


Fig. 12

- ▶ To raise the door, turn the bearing pin *Fig. 12 (18)* clockwise using the accompanying open-ended spanner *Fig. 12 (3)*. In the as-delivered state, the bearing pin is fully retracted.
- ▶ Tighten the threaded pin *Fig. 11 (17)* again to secure the bearing pin.
- ▶ Re-extend the middle adjustable feet (A) until they touch the floor.
- ▶ Then support the door: Extend the adjustable foot *Fig. 9 (16)* at the turn hinge (B) until it rests on the floor and then make a further 90° turn.

