

The ice maker is fitted in the freezer compartment of the combined refrigerator-freezer. It must be connected to the **mains water supply** to work. The descriptions below only relate to the ice maker and the water connection to a solenoid valve. All the instructions and details for the appliance as a whole are set out in the enclosed operating instructions for the combined refrigerator-freezer.

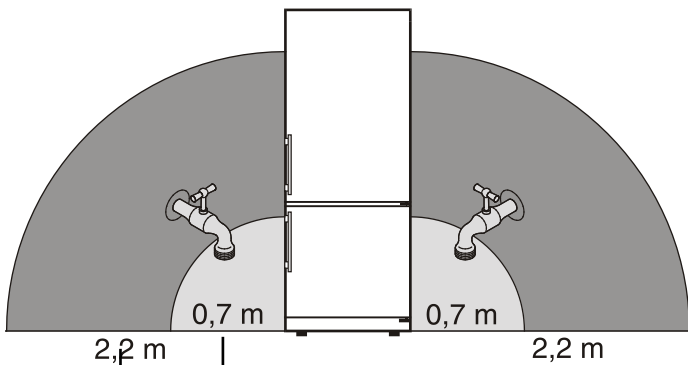
The floor on which the appliance stands should be horizontal and level. To compensate for any unevenness, adjust the height of the feet with the open-ended wrench supplied. **The combined refrigerator-freezer must stand level.**

Safety instructions and warnings

- Do not make the water connection whilst the combined refrigerator-freezer is connected to the electricity supply.
- **The connection to the mains water supply may only be made by a trained plumber.**
- **The water quality must comply with the drinking water directives of the country in which the appliance is used.**
- The ice maker is designed exclusively to make ice cubes in quantities required by a household and may only be operated with water suitable for this purpose.
- All repairs and work on the ice maker may only be carried out by customer service personnel or other trained personnel.
- **The first three batches of ice must not be consumed or used. This applies both to using the appliance for the first time and also to using it after it has not been used for a lengthy period of time. This ensures that the water supply is purged.**
- **The manufacturer cannot accept liability for damage caused by a faulty connection to the mains water supply.**

Instructions for trained personnel

Position of the water connection



Position of the water connection if a 1.5 m hose is used. This hose is supplied with the appliance as standard.

Position of the water connection if a 3 m hose is used. This hose is available from our customer service department.

Instructions for trained personnel

Connection to the water supply

Please read the first three points of the safety instructions and warnings before connecting the appliance to the mains water supply.

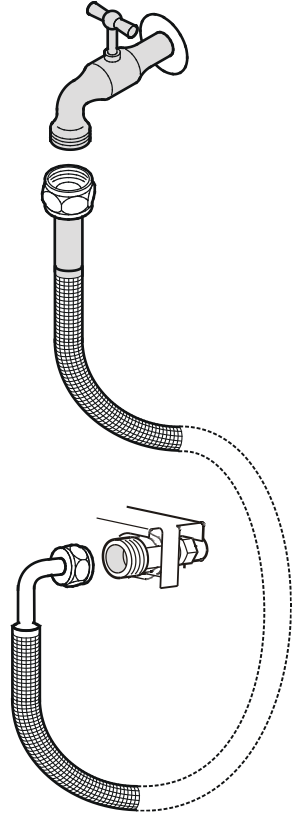
The **water pressure** must be between **0,15 and 0,6 MPa**. The water supply to the appliance must be through a cold water pipe that can withstand the operating pressure and complies with the hygiene regulations. For this, use the stainless steel hose supplied (length 1.5 m).

An extension hose of either 1.5 m or 3 m is available from the customer service department which must be assembled by a technician.

A shut-off valve must be installed between the hose line and the house mains supply so that the water supply can be stopped if necessary.

Connect the straight section of the supplied stainless steel hose to the shut-off valve. There is a screen and seal in the connector.

Connect the angled section of the stainless steel hose to the solenoid valve. The water connection to the appliance is via the solenoid valve on the rear of the appliance. The connection dimension is R 3/4.



Before the appliance is used for the first time the system must be bled of any air by a competent person (i.e. Plumber)

1. Open the shut-off valve for the water supply and check the entire water system for leaks.
2. Insert the mains plug for the combined refrigerator-freezer into the socket.
3. Move the combined refrigerator-freezer into its intended final position. **Ensure that the water supply pipe is not damaged or kinked as you do this.**

All equipment and devices used to supply the water to the appliance must comply with the current regulations of the country concerned.

To start the ice maker

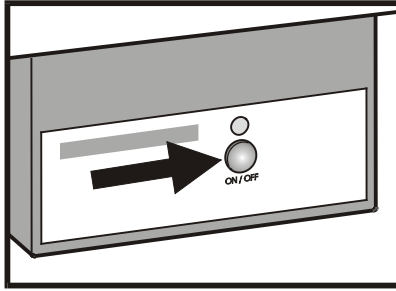
The ice maker will only work if the combined refrigerator-freezer is connected to the electricity supply. It will only make ice cubes if the freezer compartment is operating.

The ice maker is in the top left drawer in the freezer compartment of the combined refrigerator-freezer. You can identify this drawer by its labelling "Ice maker".

To switch on

- Pull out the drawer.
- Press the "ON/OFF" button so that the control lamp comes on.
- Close the drawer.

Note: The ice maker can only make ice cubes if the drawer is completely closed.



To switch off

If you do not need any ice cubes the ice maker can be switched off independently of the freezer compartment.

- Press the "ON/OFF" button for approx. 1 second so that the control lamp goes out.

Note: If the ice maker is switched off, the empty drawer can also be used to freeze and store food.

To make ice cubes

After you start the ice maker for the first time it may take up to 24 hours before the first ice cubes are ready.

Please note that the first three batches of ice must not be consumed or used.

The production capacity depends on the temperature inside the freezer compartment. The lower the temperature, the more ice can be produced over a period of time.

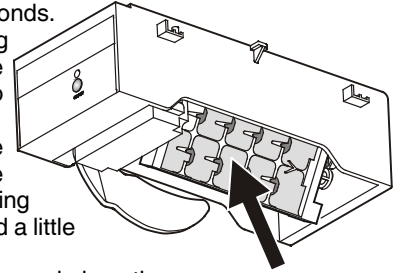
The ice cubes fall out of the ice maker into the drawer. When the ice reaches a certain level in the drawer, the appliance stops producing ice automatically.

If you require a large quantity of ice you can swap the drawer to the right with the complete "Ice maker" drawer. When you close the drawer the ice maker will immediately start production.

Cleaning the ice-cube tray

The ice-cube tray can be cleaned. Use the following method.

- **The IceMaker must be switched on.**
- Remove any ice cubes from the drawer.
- Hold the "ON/OFF" button for 10 seconds (after 1 second the IceMaker will switch off - the LED will go out).
- After you have held the "ON/OFF" button for 10 seconds the LED will start to flash for 60 seconds.
- Insert the drawer during these 60 seconds. Then the ice-cube tray will move into an angled position.
- Remove the drawer - the ice-cube tray can now be cleaned. The best way of doing this is with warm water and a little washing-up liquid.
- Press the "ON/OFF" button and close the drawer. The IceMaker will then immediately restart with its production of ice cubes.



This procedure should also be completed if you switch off the IceMaker. This ensures that no water or ice will be left in the ice-cube tray.

Malfunction

If a malfunction occurs during operation, check whether it is due to an operating error.

You may be able to rectify the following faults yourself:

- **The ice maker cannot be switched on**
 - Is the combined refrigerator-freezer connected to the mains electricity supply?
- **The ice maker is not making any ice**
 - Is the ice maker switched on?
 - Is the water supply line open?
 - Is the "Ice maker" drawer closed properly?

If you are unable to rectify the fault yourself or if the control lamp above the "ON/OFF" button flashes, contact our customer service department. Refer to the section headed "Troubleshooting" in the operating instructions for the combined refrigerator-freezer for details of the type plate data you will be required to quote.